



StandUp Gardens

An Indoor/Outdoor Gardening Experience

Visit our website at: www.standupgardens.com

34 Patterson Lane, Portsmouth, NH 03801 603-427-6000 • Fax 603-427-6001

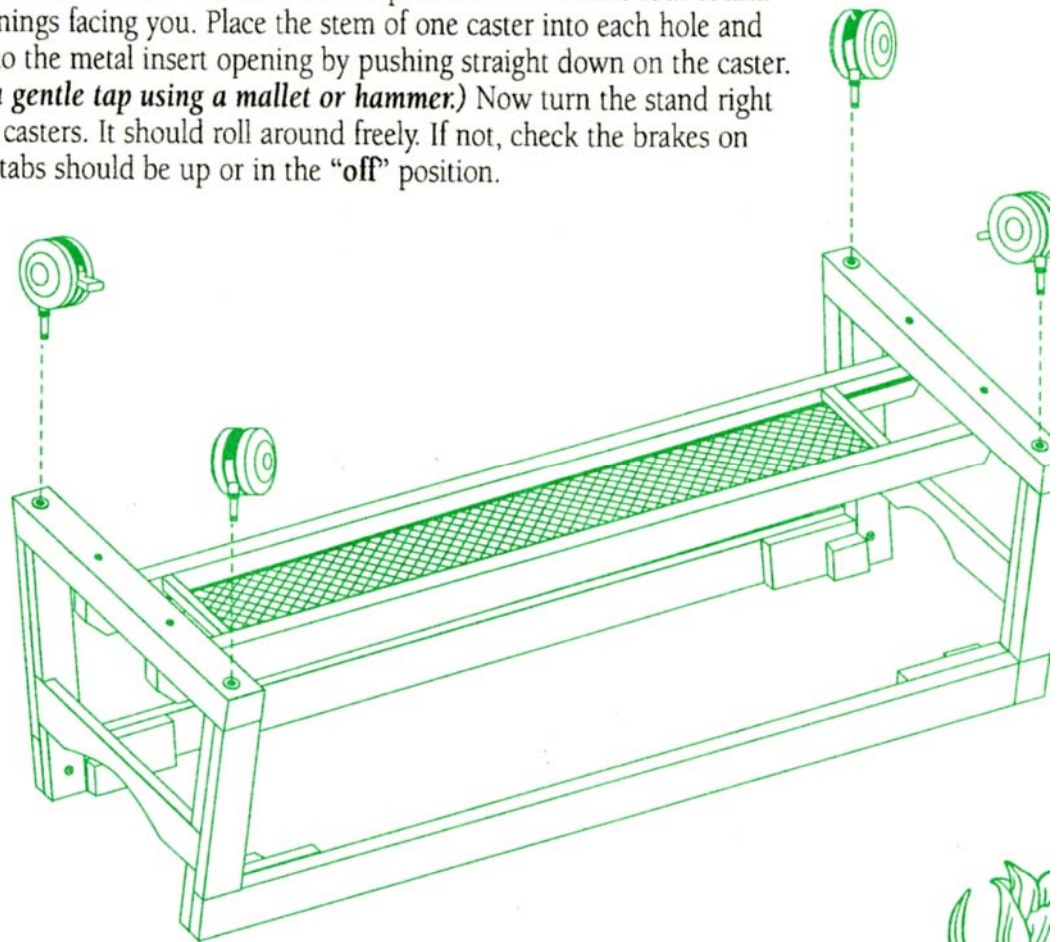
Instructions

For Assembling Your Stand and Garden

Note: (Within five days of receipt of packages) if any parts are damaged, call StandUp Gardens immediately at (800)867-8263.

Step 1

Open the box marked "Stand". Place the stand upside down with the four round caster insert openings facing you. Place the stem of one caster into each hole and tap the caster into the metal insert opening by pushing straight down on the caster. *(You may need a gentle tap using a mallet or hammer.)* Now turn the stand right side up on to its casters. It should roll around freely. If not, check the brakes on each caster. The tabs should be up or in the "off" position.



Gardening made easy!

STANDUPTM

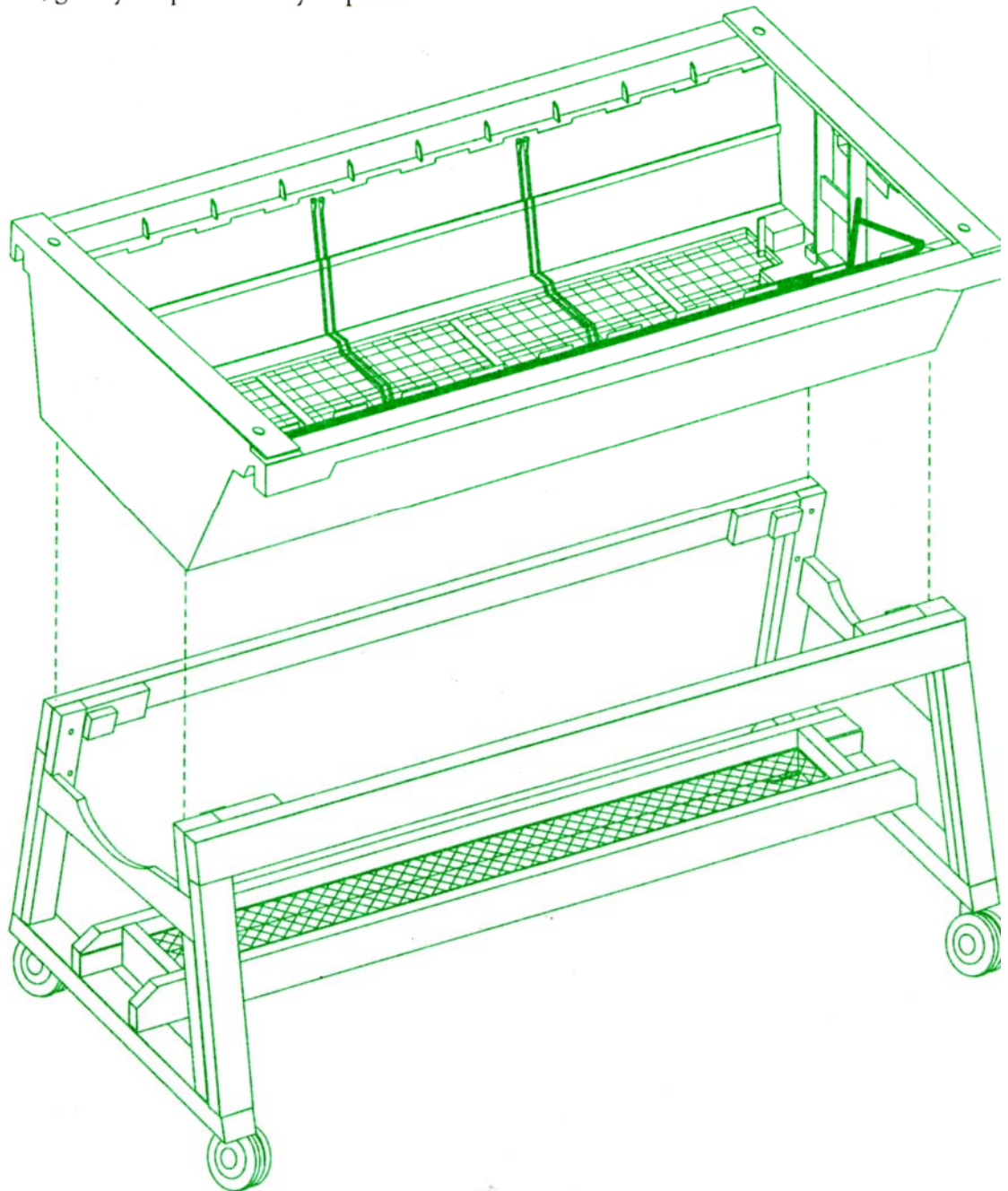
GARDENS

Questions call:
1-800-TO-STAND
1-800-867-8263



Step 2

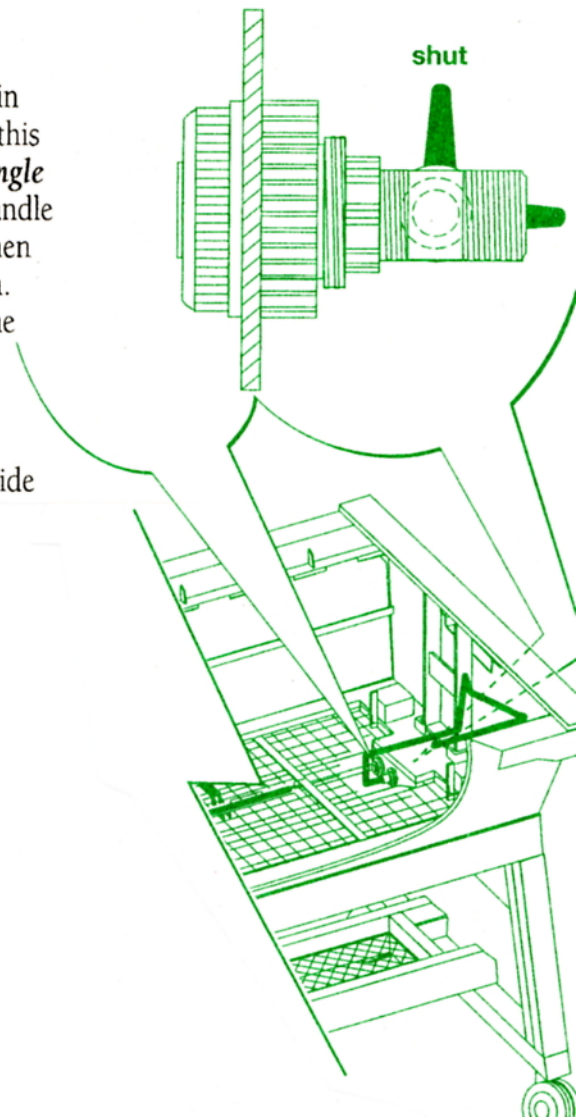
Next open the box marked “Garden”. Place your garden vessel onto the stand (*it may be easier if you lock the casters first, by stepping on the four tabs or putting the brakes in the “on” position.*) There are no fasteners; gravity keeps it securely in place.



Step 3

Look underneath the end of the vessel, notice the red handled drain faucet– this is for draining any excess water from the vessel. Keep this handle in the shut position (*handle pointing to the side at right angle to the pipe*) when you are using your garden indoors. Keep this handle in the open position (*handle aligned lengthwise with the pipe*) when you are using your garden outdoors to let rain water drain through. You can attach a regular garden hose to this drain fitting to have the drain empty in another location.

The gray valve at the other end of the vessel is only used if you have purchased more than one garden and intend to hook them together. Our connectivity kit allows one water connection to provide irrigation to many gardens connected end to end.



Step 4

Place the black drain cloth over the drain trays in the bottom of the garden. This is to prevent soil from getting under the trays and into the drainage recess area. If you are using the optional garden dividers, install them now, (see *divider installation instructions*) then, cut the black cloth into pieces to fit each section.

Step 5

Now you can fill your garden with soil. If you have not purchased **StandUp Garden's recommended growing medium** with your garden, we suggest a soilless mix such as *Scott's Metro Mix 510* or *Premier Pro-Mix, Reddy Earth* or *Jiffy Mix*. Your garden will require (2) three cubic ft. bags or a total of 6 cubic feet of soil. Fill your garden only to the 1/2" black tubing at the top edge of the garden. Some settling of the grow mix will occur after the first few waterings. Now decide on your plant material and placement of your plants or use a StandUp Gardens instant garden kit.

This completes
the setup of
StandUp Garden.
Happy Gardening!

